

# SATATYA CIBR50FL28CWP

5MP IR Bullet Camera with 2.8mm Lens



**SATATYA CIBR50FL28CWP**  
5MP IR Bullet Camera with 2.8mm Lens

Matrix Project Series IP Cameras are built using superior components such as Sony STARVIS sensor and higher MTF lens to offer unmatched image quality especially during the low light conditions. Powered by True WDR algorithm, these cameras offer consistent image quality even in highly varying lighting conditions. Built in intelligent analytics including Intrusion Detection, Trip Wire, etc. ensure real-time security. Moreover, H.265 compression and Automatic Motion based Frame Rate Reduction save bandwidth and storage up to 50%.

## USP



SONY STARVIS  
SENSOR



H.265  
COMPRESSION



IVA



HIGHER FIELD  
OF VIEW



SMART  
STREAMING



ADAPTIVE  
STREAMING



TRUE WDR



NAS

## CERTIFICATION



# SATATYA CIBR50FL28CWP

5MP IR Bullet Camera with 2.8mm Lens



## TECHNICAL SPECIFICATIONS

### IMAGE SENSOR

Resolution	5 MP (2592 x 1944)
Sensor Type and Size	1/2.8" SONY - CMOS 5MP Active Pixel Progressive Scan, Back Illuminated Image sensor (EXMOR Technology - STARVIS Series)

### LENS

Minimum Illumination	Color - 0.01 Lux @F1.8 (AGC ON) Monochrome - 0 Lux
Focal Length	2.8mm
Focus Range	0.3m to infinity
Field of View (FOV)	HFOV - 104° VFOV - 75° DFOV - 129°
Lens Mount	M12 x 0.5
Focus	Fixed focus
Aperture (F#)	F 1.8
Iris Type	Fixed
IR Range	50m
IR Led Wavelength	850nm
IR Switching	Auto/ Manual

### AUDIO INTERFACE

Audio IN	1
Audio OUT	1
Two-way Audio	Supported
Audio Compression	G.726 and G.711μ
Alarm In	Yes
Alarm Out	Yes

### HARDWARE SPECIFICATIONS

SD Card	Up to 512GB
Camera Adjustment Angle	Pan: 0° to 360° (in combo) Tilt: (-90°) to 90° Rotate: 0° to 360° (in combo)

### IMAGE AND VIDEO

No of Stream Profiles	3
Stream Profiles	Profile 1: 2592 x 1944 @ 30fps (H.265/H.264) Profile 2: VGA @ 30fps (H.265/H.264) Profile 3: 2048 x 1536 @ 8fps (MJPEG)

# SATATYA CIBR50FL28CWP

5MP IR Bullet Camera with 2.8mm Lens



Available Resolutions	2592 x 1944, 2592 x 1520, 2048 x 1536, 1920 x 1080, 720p, D1, VGA, 2CIF, CIF, QCIF
Max Resolution	2592 x 1944
Bitrate	128 kbps-8Mbps
Bitrate Type	CBR, VBR
Video Compression	H.265, H.264, MJPEG
Frame Rate	1-30fps
Shutter Speed	1/25s -1/59000s
Adaptive Streaming	Yes
ONVIF Profiles	S and G
Edge Recording	Yes
Alarm Recording	Pre and Post
Motion Recording	Yes
Time Triggered	Yes
Video Parameters	Snapshot, Region of Interest (ROI), BLC, Day/Night Settings
Privacy Masks	3
WDR	True WDR (120dB)
SNR	73db
Image Enhancement	Rotation/Saturation/Contrast/Sharpness/Brightness/Hue/ White Balance
DNR	2D &3D
HLC	Yes (HLC not till V2R5)
Video Analytics	Motion/No Motion Detection, Tamper Detection, Trip/No Trip Detection, Object Intrusion/Zone Intrusion, Audio Exception
<b>ALERTS</b>	
IP Conflict	Yes
Network Disconnect	Yes
Storage Full	Yes
<b>EVENTS AND ACTIONS</b>	
Upload Image	SD, NAS, FTP
Upload Clip	SD, NAS, FTP
Notifications	E-mail, SMS, TCP
<b>PROTOCOLS SUPPORTED</b>	
Supported protocols	TCP/IP, HTTP, ARP, DSCP, QoS, DHCP, DNS, DDNS, RTP, RTCP, RTSP, PPPOE, SMTP, NTP, HTTPS, TLS/SSL, FTP, ICMP, IGMP, 802.1x, SNMP
Web Viewer	Supported in IE 8.0-11.0, Firefox 15.0-47.0, Chrome 20.0-54.0
Plugins	IE: Matrix ActiveX Chrome: VLC plugin (2.0.4) and Quicktime (7.7.5) Mozilla: VLC plugin (2.0.4) and Quicktime (7.7.5)

# SATATYA CIBR50FL28CWP

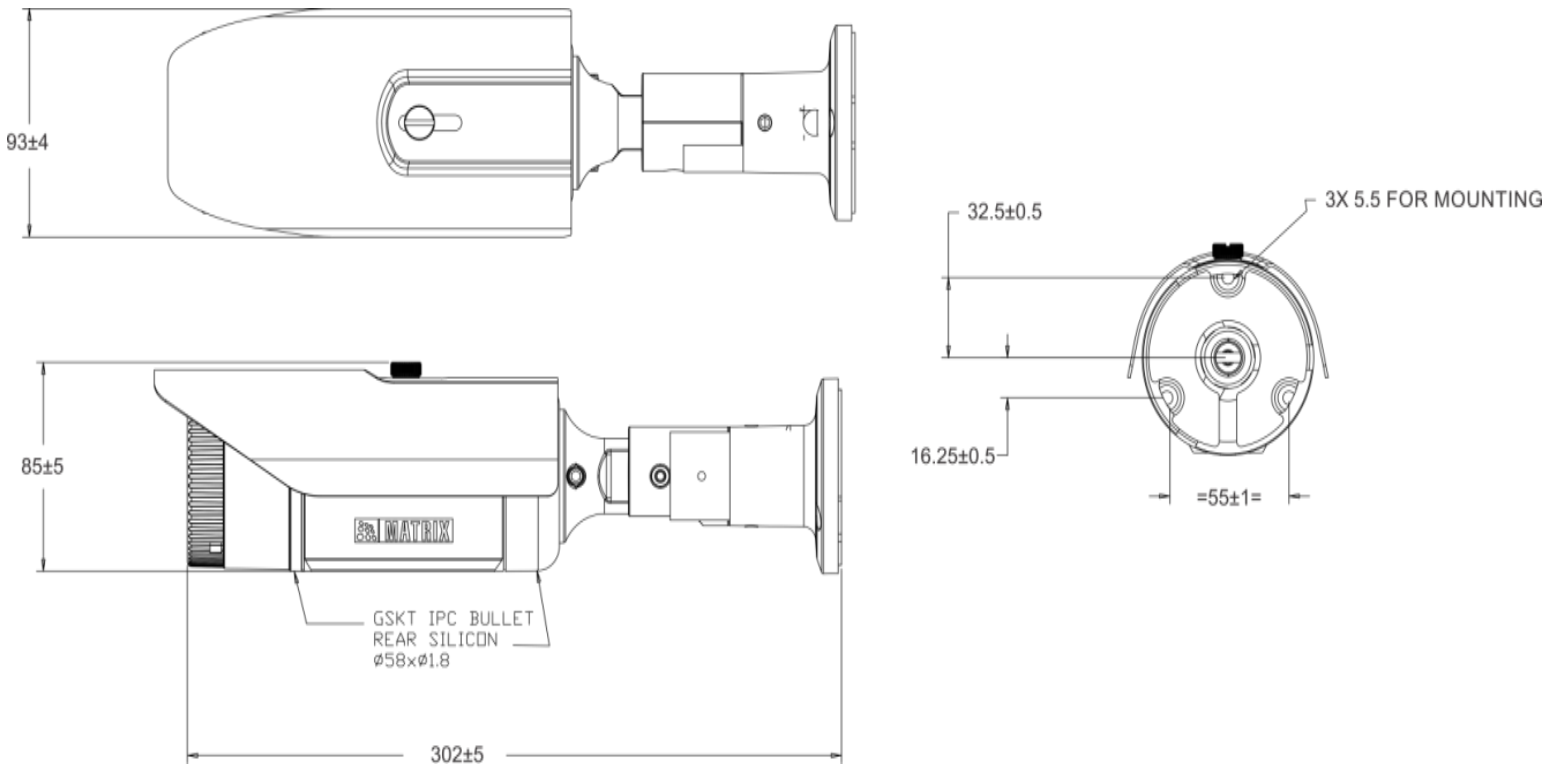
5MP IR Bullet Camera with 2.8mm Lens



OPERATING PARAMETERS	
Power Supply	12V (DC); 802.3af (PoE)
Power Consumption	<7W
Operating Humidity	Less than 90% RH (non-condensing)
Operating Temperature	-20°C to 50°C
Storage Temperature	-20°C to 50°C
PHYSICAL PARAMETERS	
Communication Interface	10Base-T/100BaseTX Ethernet (RJ-45)
Weight	840 grams
Color	Pantone 7527C
Dimensions	301.6mm x 84mm x 92.5mm (Length x Height x Width)
Storage	NAS, SD Card
Certifications	BIS, CE, IP66, FCC Part-15 Subpart B, ONVIF S & G, IK10, UL

*\*Note: Specifications are subject to change without prior notice\**

## DIMENSIONS (in mm)



# SATATYA CIBR50FL28CWP

## 5MP IR Bullet Camera with 2.8mm Lens



### ABOUT MATRIX

Established in 1991, Matrix is a leader in security and telecom solutions for modern businesses and enterprises. Matrix, an innovative, technology driven and customer focused organization, is committed to keep pace with the revolutions in security and telecom industries. With more than 40% of its human resources dedicated to the development of new products, Matrix has launched cutting-edge products such as Unified Communications, IP-PBX, Universal Gateways, Convergence, VOIP Gateways, GSM Gateways, IP Video Surveillance, Access Control and Time-Attendance. These solutions are feature-rich, reliable and conform to the international standards. Having global footprints in Europe, North America, South America, Africa and Asia through an extensive network of more than 1000 system integrators, Matrix ensures that the products serve the needs of its customers faster and longer. Matrix has gained trust and admiration of customers representing the entire spectrum of industries. Matrix has won many national and international awards for its innovative products.



### MATRIX COMSEC

Head Office

394 – GIDC, Makarpura,  
Vadodara – 390 010, India

Ph: +91 265 613 7222

Email: [Inquiry@MatrixComSec.com](mailto:Inquiry@MatrixComSec.com)

Factory

19 – GIDC, Waghodia,  
Dist. Vadodara – 391 760, India  
Ph: +91 265 613 7222

### MATRIX COMSEC – North America

2 Wickstead Crt,  
Brampton,  
Ontario – L6R 1N8

Ph: (+1) 408-643-0581 (USA)

Ph: (+1) 437-266-1005 (Canada)

[www.MatrixVideoSurveillance.com](http://www.MatrixVideoSurveillance.com)